

# MATCHUP

HI-TECH BRAKE SOLUTIONS MADE IN EUROPE



GO AHEAD

## YAMAHA YZF R7



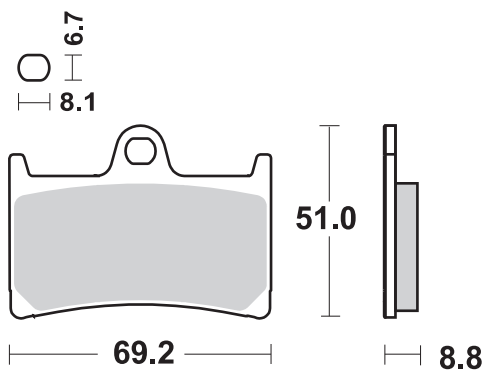
			RECOMMENDED	
YAMAHA				
YZF	R7	22 - 22	634 SP*	657 LS

\* = 2 sets required / 2 jeux pour l'Avant.

Available compounds

SBS 634

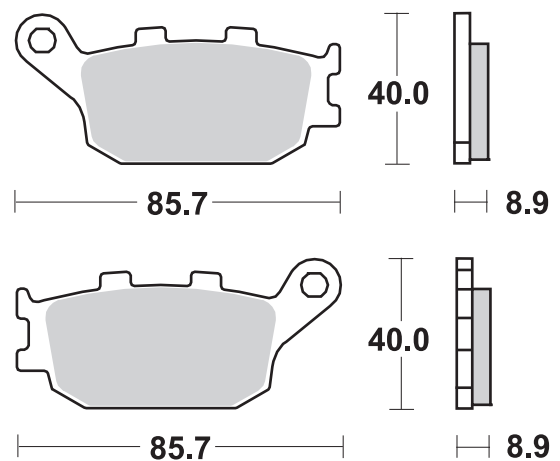
HF • HS • SP



Available compounds

SBS 657

HF • LS



@sbsbrakes | sbsbrakes.com | #GoAhead